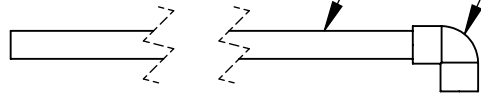


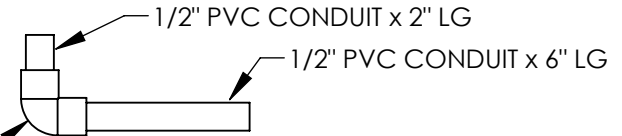
1/2" ϕ PVC CONDUIT x 27" LG



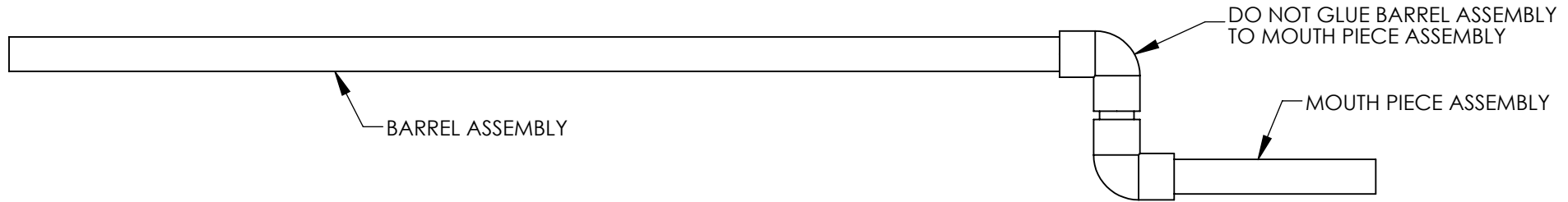
1/2" PCV 90° ELBOW
GLUE TO BARREL

BARREL ASSEMBLY

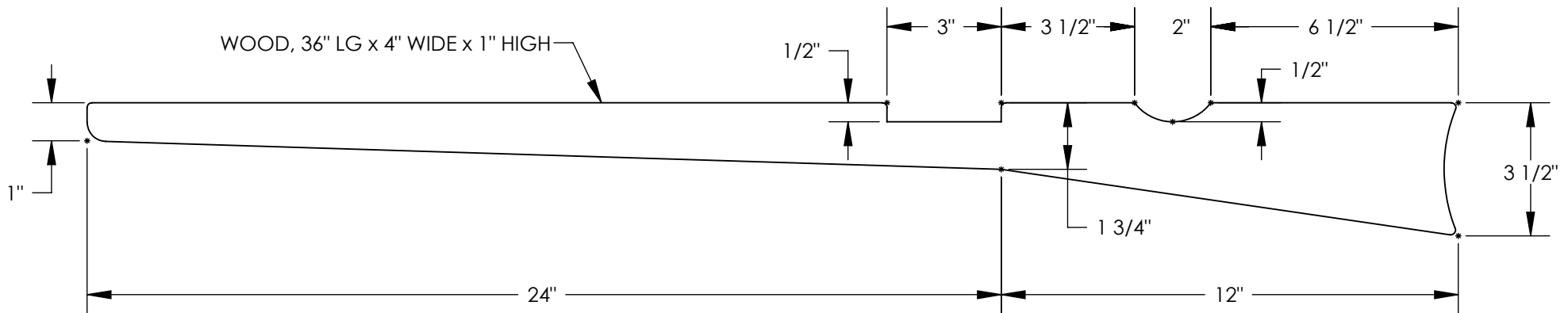
1/2" PCV 90° ELBOW
GLUE 2" LONG AND
6" LONG TO MAKE
MOUTH PIECE



MOUTH PIECE ASSEMBLY



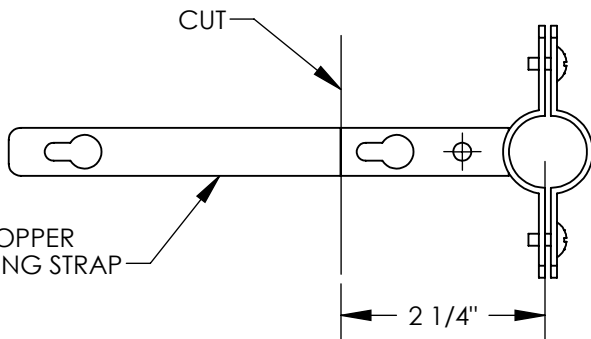
WOOD, 36" LG x 4" WIDE x 1" HIGH



STOCK

NOTE: ROUND SHARP EDGES

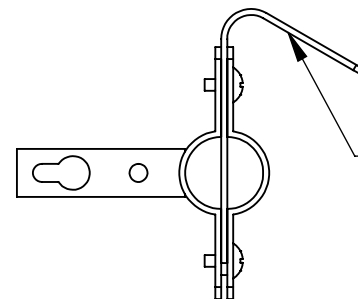
CUT



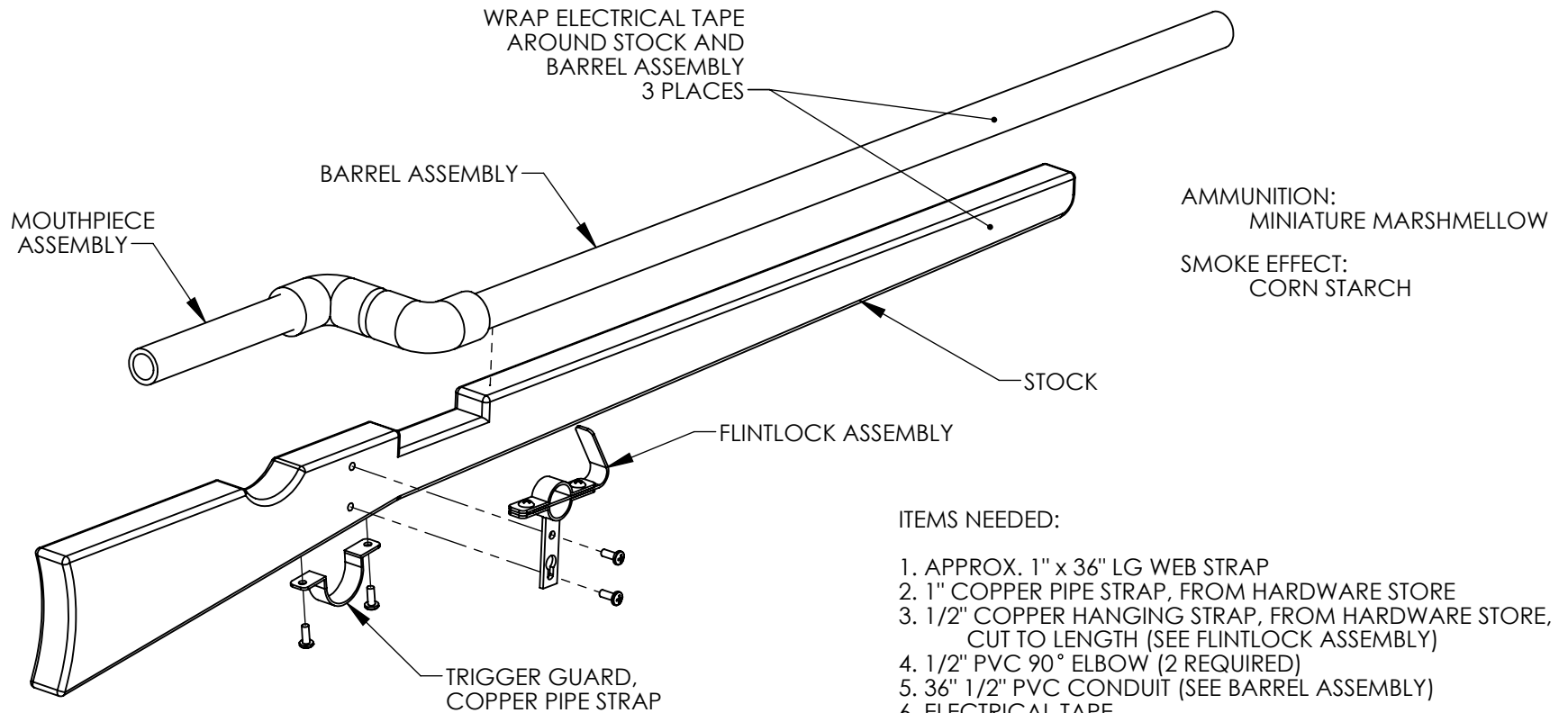
1/2" COPPER
HANGING STRAP

2 1/4"

FLINTLOCK ASSEMBLY



INSTALL REMOVED PIECE
& BEND TO SHAPE
AS REQUIRED



ITEMS NEEDED:

1. APPROX. 1" x 36" LG WEB STRAP
2. 1" COPPER PIPE STRAP, FROM HARDWARE STORE
3. 1/2" COPPER HANGING STRAP, FROM HARDWARE STORE, CUT TO LENGTH (SEE FLINTLOCK ASSEMBLY)
4. 1/2" PVC 90° ELBOW (2 REQUIRED)
5. 3/6" 1/2" PVC CONDUIT (SEE BARREL ASSEMBLY)
6. ELECTRICAL TAPE
7. SCREWS FOR MOUNTING TRIGGER GUARD, FLINTLOCK ASSEMBLY, & STRAP
8. WOOD, 36" LG x 4" WIDE x 1" HIGH

